

JVC



SATELLITE SPEAKER SYSTEM

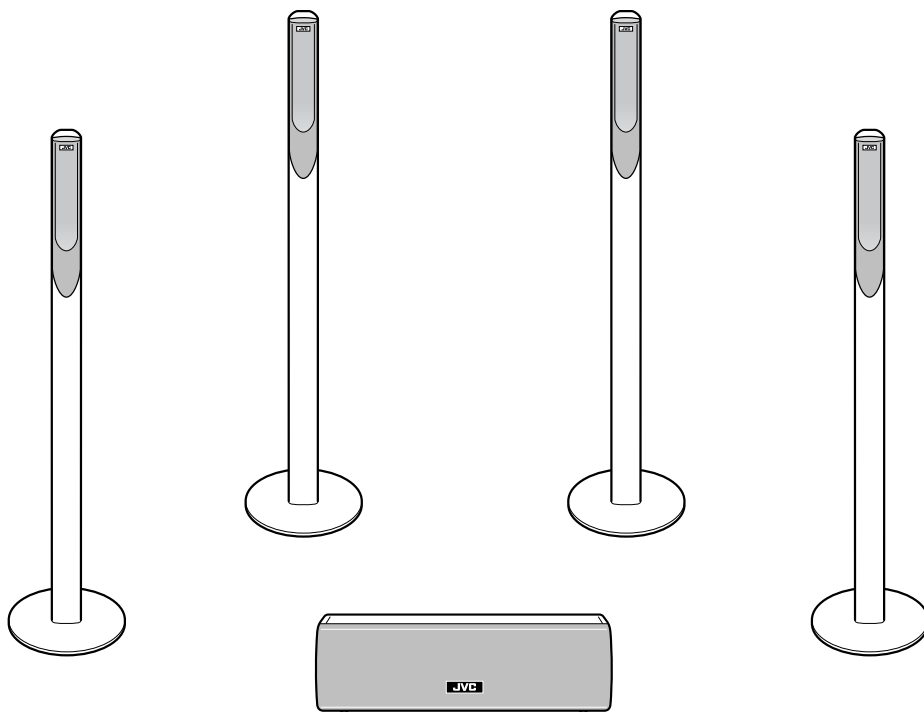
SATELLITEN-LAUTSPRECHER-SYSTEM
SYSTEME HAUT-PARLEURS SATELLITE
SATELLIET LUIDSPREKERSYSTEEM
SYSTEMA DE ALTAVOZ DE SATÉLITE
SISTEMA DI ALTOPARLANTI SATELLITI
SATELLITHÖGTALARSYSTEM
SATELLIT HØJTTALERSYSTEM

SATELLIITTIKAIUTINJÄRJESTELMÄ
SYSTEM GŁOŚNIKÓW SATELITARNYCH
KÜLSŐ HANGFALRENDSZER
SATELITNÍ REPRODUKTOROVÁ SOUSTAVA
САТЕЛЛИТНАЯ АКУСТИЧЕСКАЯ СИСТЕМА
衛星揚聲器
새틀라이트 스피커 시스템

SP-F303 — Consists of SP-F303F and SP-F303C

Bestehend aus SP-F303F und SP-F303C
Se compose de SP-F303F et SP-F303C
Bestaat uit SP-F303F en SP-F303C
Consta de SP-F303F y SP-F303C
L'impianto è formato da SP-F303F e SP-F303C
Består av SP-F303F och SP-F303C
Består of SP-F303F og SP-F303C

Sisältää seuraavat osat: SP-F303F ja SP-F303C
Zestaw przyrządów SP-F303F a SP-F303C
A készülék SP-F303F és SP-F303C egységekből áll
Sestava komponentů SP-F303F a SP-F303C
Составлен из компонентов SP-F303F и SP-F303C
由SP-F303F及SP-F303C
SP-F303F 과 SP-F303C 로 구성



INSTRUCTIONS

BEDIENUNGSANLEITUNG
MANUEL D'INSTRUCTIONS
GEBRUIKSAANWIJZING
MANUAL DE INSTRUCCIONES
ISTRUZIONI
BRUKSANVISNING
VEJLEDNING
KÄYTTÖOHJE
INSTRUKCJA OBSŁUGI

HASZNÁLATI UTASÍTÁS
PŘÍRUČKA OBSLUZE
ИНСТРУЦИИ ПО ЭКСПЛУАТАЦИИ
使用手冊
사용 설명서

Contents

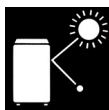
	Page
Warnings, Cautions and Others	1
Assembly	2
Connection	5
General Layout of Speakers	6
Specifications	6

Thank you for purchasing a JVC speaker system. Before you begin using these speakers, please read the instructions carefully to be sure you get the best possible performance. If you have any questions, consult your JVC dealer.

Warnings, Cautions and Others

■ Precautions for installation

- Do not install the speakers on an uneven surface or in a place subject to vibration; otherwise, they may fall over, causing damage or injury.
 - Take the occurrence of earthquakes or other physical shocks into consideration when selecting the installation place, and secure the speakers thoroughly.
- To prevent deformation or discoloration of the cabinet, do not install the speakers where they are exposed to direct sunlight or high humidity, and avoid installation near air conditioning outlets.
- Speaker vibrations may cause howling. Place the speakers as far away from the player as possible.
- The speakers are magnetically shielded to avoid color distortions on TVs. However, if not installed properly, it may cause color distortions. So, pay attention to the following when installing the speakers.
 - When placing the speakers near a TV set, turn off the TV's main power switch or unplug it before installing the speakers. Then wait at least 30 minutes before turning on the TV's main power switch again. Some TVs may still be affected even though you have followed the above. If this happens, move the speakers further away from the TV.
- Tuner reception may become noisy or hissing if a speaker is installed near the tuner. In this case, leave more distance between the tuner and the speakers or use an outdoor antenna for better tuner reception without interference from the speakers.



■ Precautions for Daily Use

- **To maintain the appearance of the speakers**
Wipe with a dry, soft cloth if the cabinet or control panel should become dirty.
If very dirty, apply a small amount of water or neutral detergent to the cloth and wipe clean, then wipe with a dry cloth.

- **To improve the sound field**
If the speakers are facing a solid wall or glass door, etc., it is recommended to furnish the wall with materials that absorb sounds, for example by hanging up thick curtains, to prevent reflections and standing waves.



- **To use the speakers without any trouble**
 - Do not reproduce sounds at so high a volume that they are distorted; otherwise, the speakers may be damaged by internal heat buildup.
 - When moving the speakers, do not pull the speaker cords; otherwise, the speakers may fall over, causing damage or injury.
 - When holding a satellite speaker, do not grasp the speaker (upper) portion, but always grasp the leg (lower) portion of the satellite speaker.

■ Checking the supplied Accessories

Check to be sure you have the following supplied accessories. The number in parenthesis indicates the quantity of the piece supplied.

• Speaker cords



Approx. 5 m (3);
For satellite speakers for front left/right channel and center speaker



Approx. 10 m (2);
For satellite speakers for surround left/right channel

• Screws (with washer)



M4 x 25 mm (16)

If any of the items above are missing, contact your dealer immediately.

Speaker and Speaker cords— to improve the sound quality

When connecting the speaker cords

Make sure to match the polarity (\oplus and \ominus); otherwise, the sound will lose the surround effect. After connecting, check that the exposed cores are fully inserted into the terminal.

When using other speaker cords

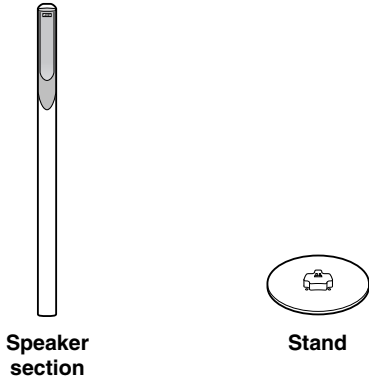
Observe the following;

- Buy thick speaker cords rather than thin cords, and make them as short as possible for connection.
- Use speaker cords of the same length for both left and right speakers.
- Do not use long speaker cords; otherwise, the sound quality may deteriorate.

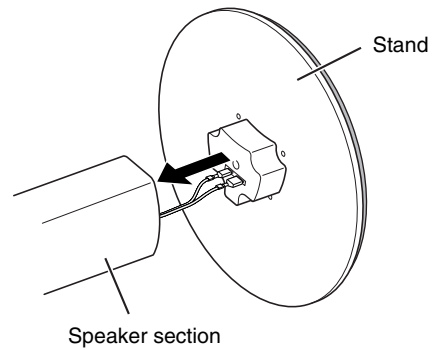
■ Assembling the satellite speakers

Each speaker (except the center speaker) has been divided into two parts for shipment. Before using this speaker system, assemble it first by following the procedure below.

- Prepare a Phillips screw driver.

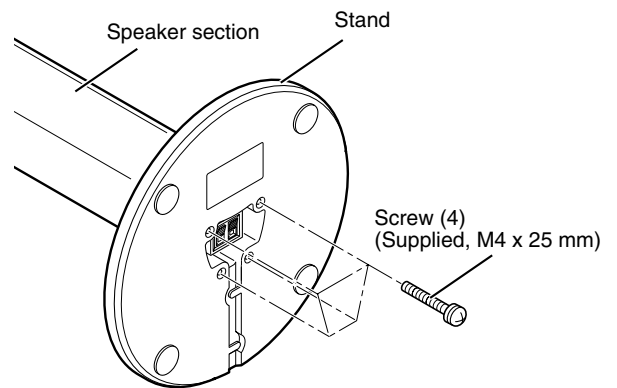


2 Join the stand to the speaker section.



3 Fix the stand to the speaker section.

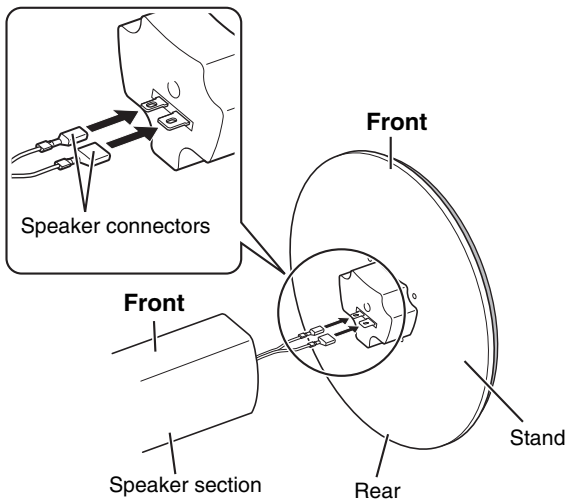
- Be sure to tighten the screws firmly.



Before assembling—

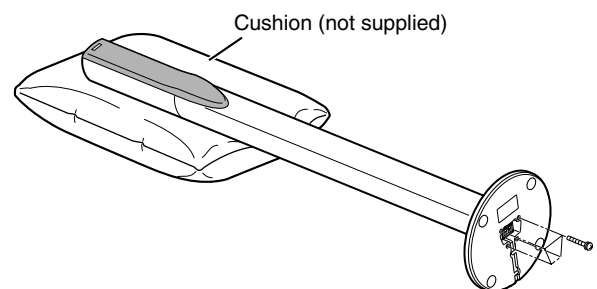
- Take care not to drop the stand while assembling; otherwise, it may cause damage to the floor or injury.
- Ensure enough space for assembly and installation.
- Place a large, thick cloth on the floor where you assemble the speaker, so you can protect the floor and the speaker itself.
- Use the speaker only after assembly is fully and correctly done.

1 Connect the speaker connectors to the stand connectors.



It is recommended to place a cushion under the speaker section.

- You can tighten the screws easily by placing the speaker section horizontally.

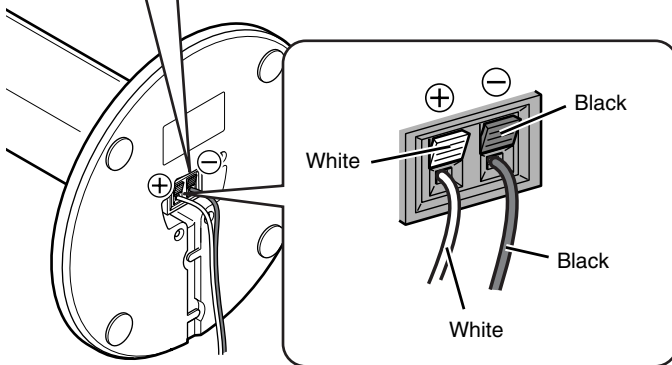
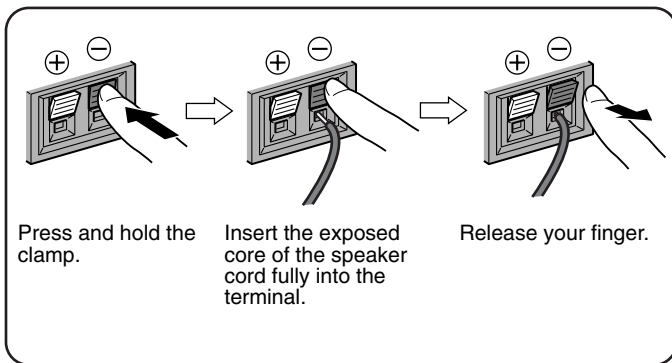
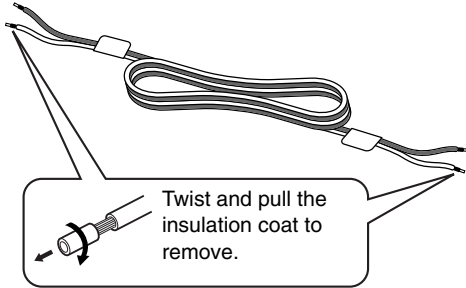


To be continued on the next page

Assembly (continued)

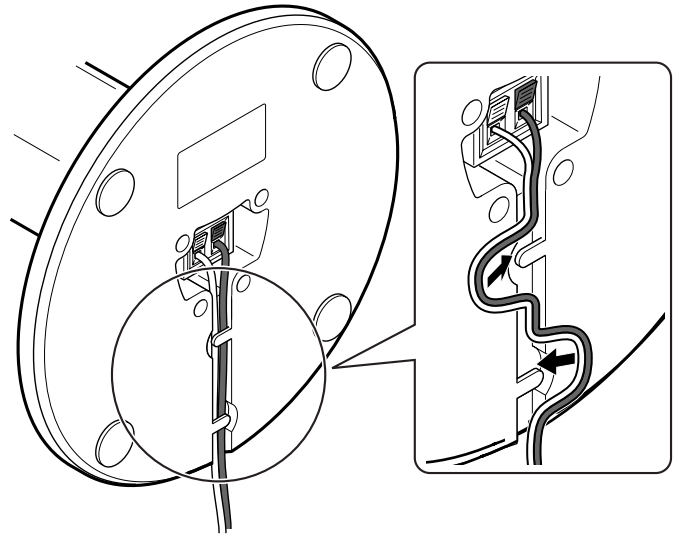
4 Connect the speaker cord to the speaker terminal.

- Each speaker can be used as front or surround speaker. Use the 5-meter speaker cords for front speakers and 10-meter speaker cords for surround speakers.



5 Route the speaker cord as shown below.

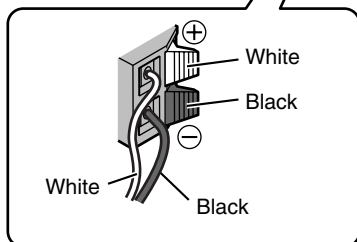
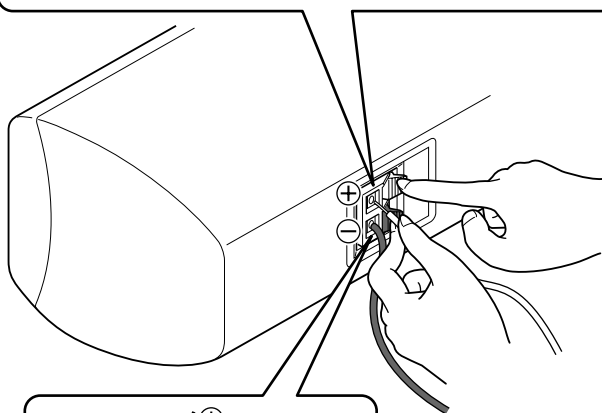
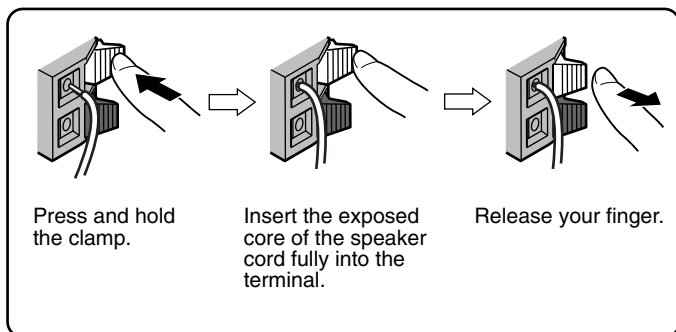
- Be sure to take out the slack so that the speaker cord lies flat.



■ Connecting the Center speaker

- To connect the center speaker, use the same type of speaker cord (5 m; tagged with "CENTER") as used for connecting the front speakers.

Insert the speaker cord into the speaker terminal.



CAUTION

Make sure to match the polarity (\oplus and \ominus); otherwise, the sound will lose the surround effect.
After connecting, check that the exposed cores are fully inserted into the terminal.

Connection

■ Connecting the speaker system to the amplifier

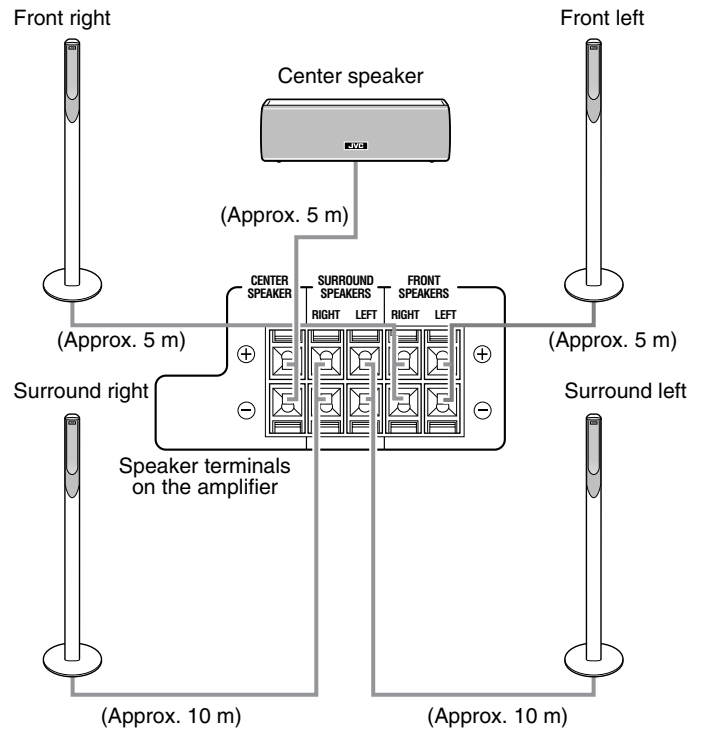
Before connecting—

- Turn off the power to the amplifier before connecting the speaker system; otherwise, the speakers may be damaged.
- The impedance of each speaker is 8 Ω. Before connecting them to your amplifier, check the speaker impedance range of your amplifier. If the impedance of this speaker is out of the speaker impedance range indicated on the amplifier, you cannot connect this system to the amplifier.
- The maximum power handling capacity of the SP-F303 is 100 W. Excessive input will result in abnormal noise and possible damage.
- Be sure to turn down the volume level to prevent unwanted noise before performing following operations:
 - Turning on or off other components,
 - Operating the amplifier,
 - Tuning FM stations,
 - Fast-forwarding a tape,
 - Continuously reproducing high frequency oscillation or high pitch electronic sounds.
- When using a microphone, do not aim it at the speakers or use it near the speakers; otherwise, the howling which occurs may damage the speakers.
- Before replacing the cartridge, always turn off the power to the turntable; otherwise, the clicking noise may damage the speakers.

■ Typical connection method to an amplifier

Connect the speakers to a “SPEAKER” terminal of the amplifier with the speaker cords by referring to the diagram below.

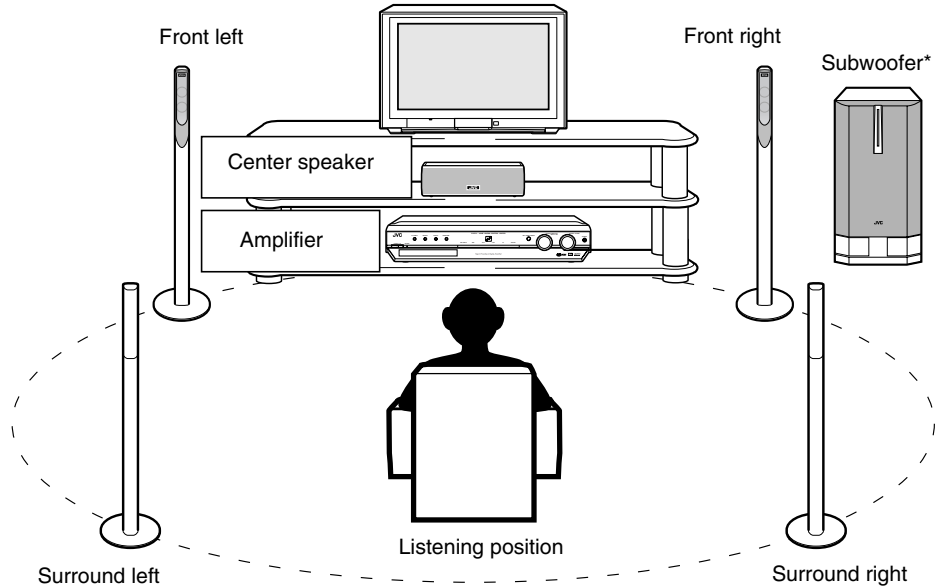
- Make sure to match the polarity (⊕ and ⊖) when connecting the speaker cords.
- The diagram below is an example of a typical connection method.



General Layout of Speakers

Place all speakers at the same distance from the listening position if possible.

- Usually place the center speaker close to the TV.



* For a subwoofer to be used with SP-F303, it is recommended to use SP-DW103. This combination gives you the best possible high quality surround sounds.



CAUTION

- Do not lean against the speakers, as the speakers could fall down or break, possibly causing an injury. Especially be careful that children do not lean against them.
- When you place the center speaker on a TV, make sure the surface is level and stable.

Specifications

SP-F303F (Satellite speaker)

Type	: 1-way 2-speaker Bass reflex type (magnetically shielded type)
Speaker unit	: 5.5 cm cone × 2
Frequency range	: 80 Hz to 20 000 Hz
Input impedance	: 8 Ω
Power handling capacity	: 100 W
Sound pressure level	: 80 dB/W·m
Dimensions	: 250 mm (width) × 1103 mm (height) × 250 mm (depth)
Mass	: 3.77 kg each

SP-F303C (Center speaker)

Type	: 1-way 2-speaker Bass reflex type (magnetically shielded type)
Speaker unit	: 5.5 cm cone × 2
Frequency range	: 80 Hz to 20 000 Hz
Input impedance	: 8 Ω
Power handling capacity	: 100 W
Sound pressure level	: 81 dB/W·m
Dimensions	: 258 mm (width) × 75 mm (height) × 81 mm (depth)
Mass	: 0.95 kg



JVC
VICTOR COMPANY OF JAPAN, LIMITED